

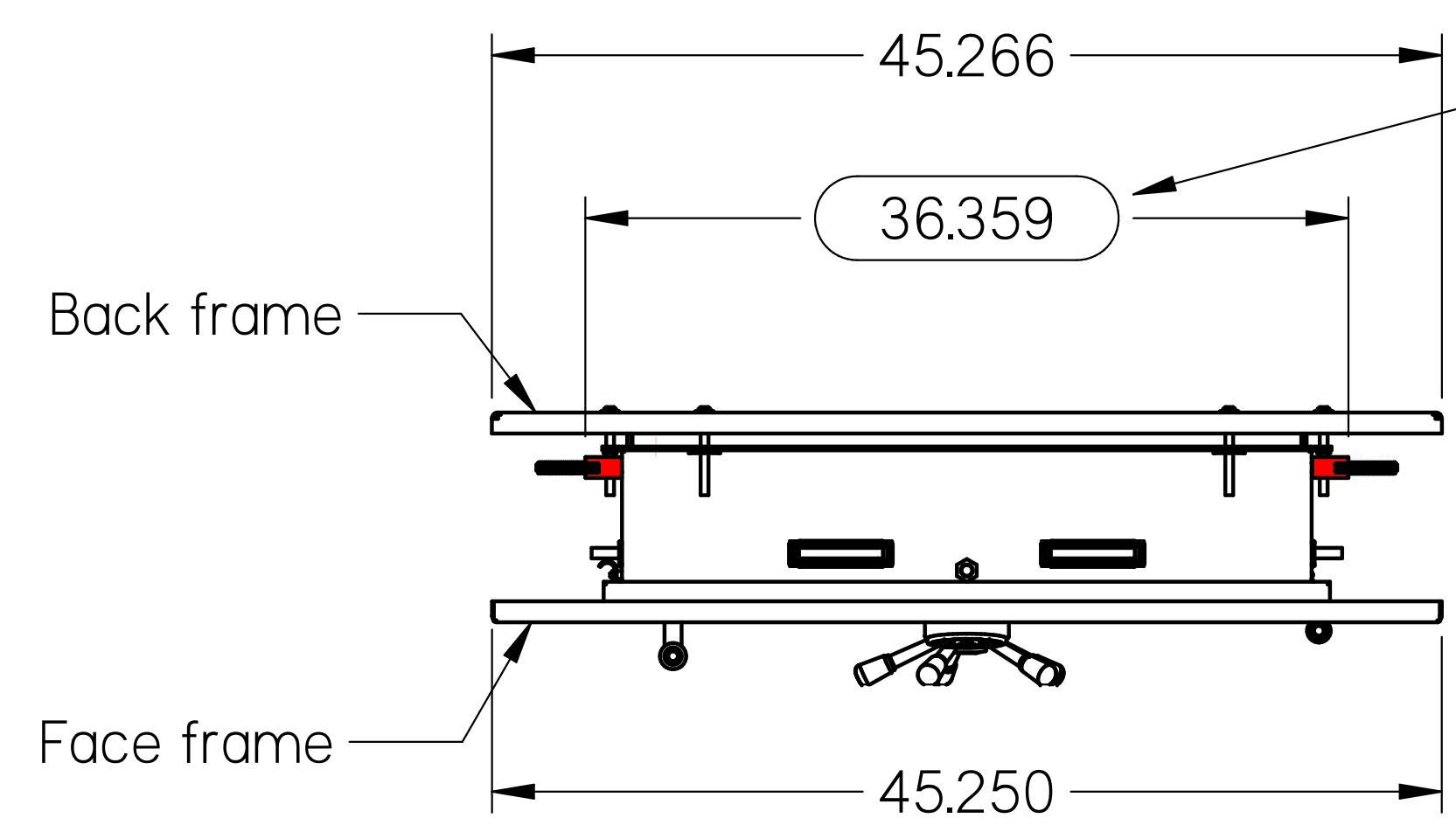
1 2 3 4 5 6 7 8 9 10 11 12

H
G
F
E
D
C
B
A

H
G
F
E
D
C
B
A

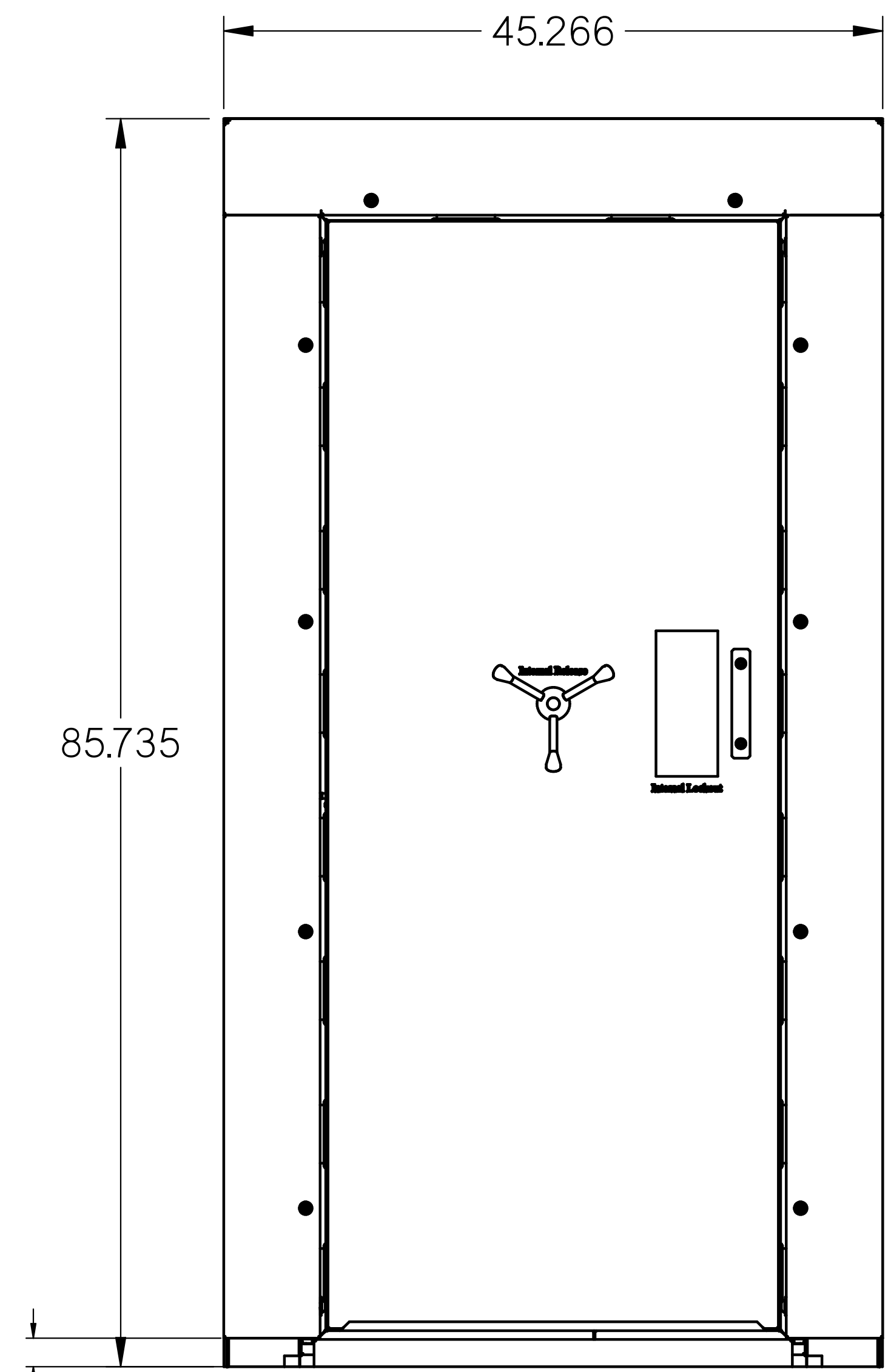
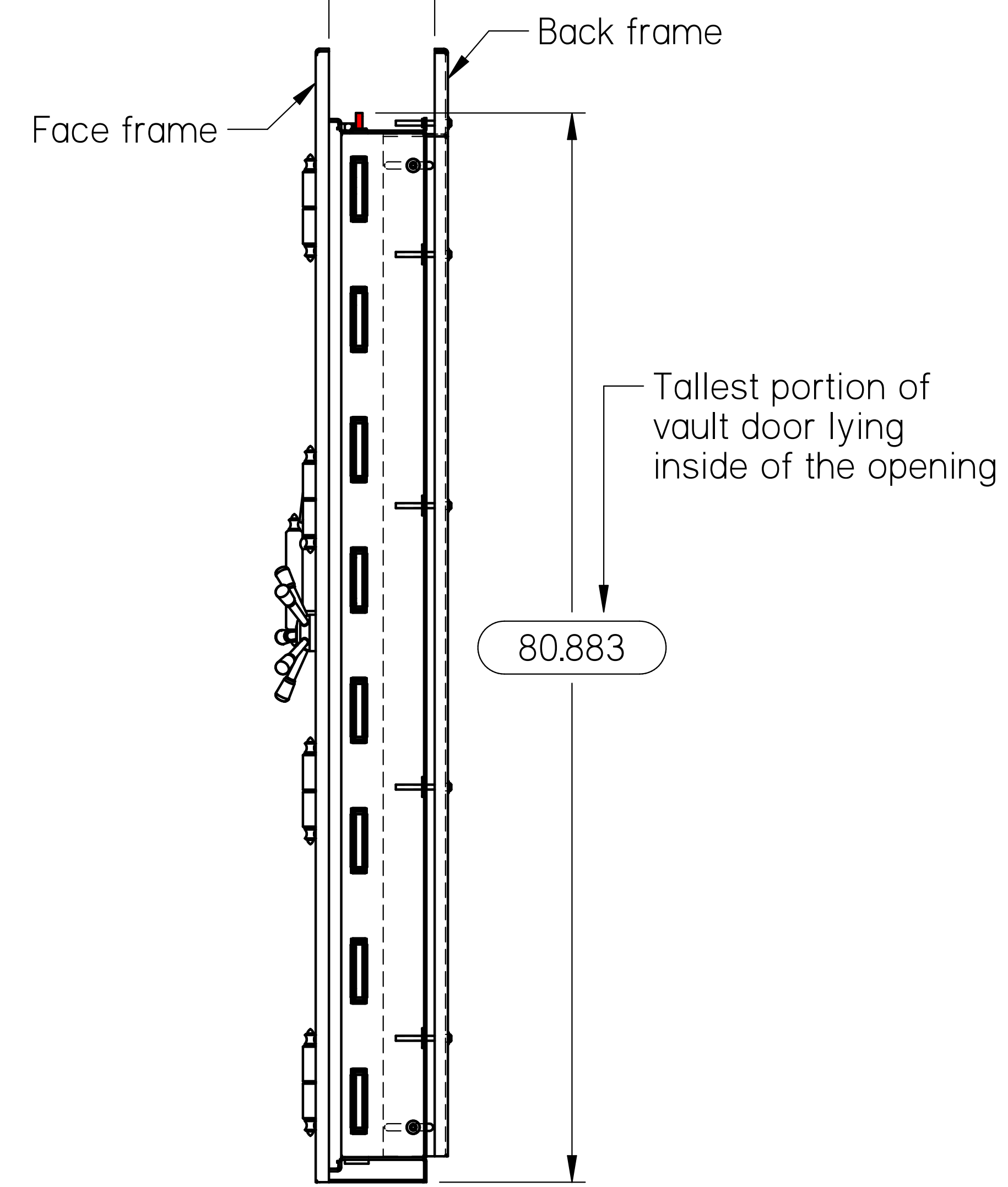
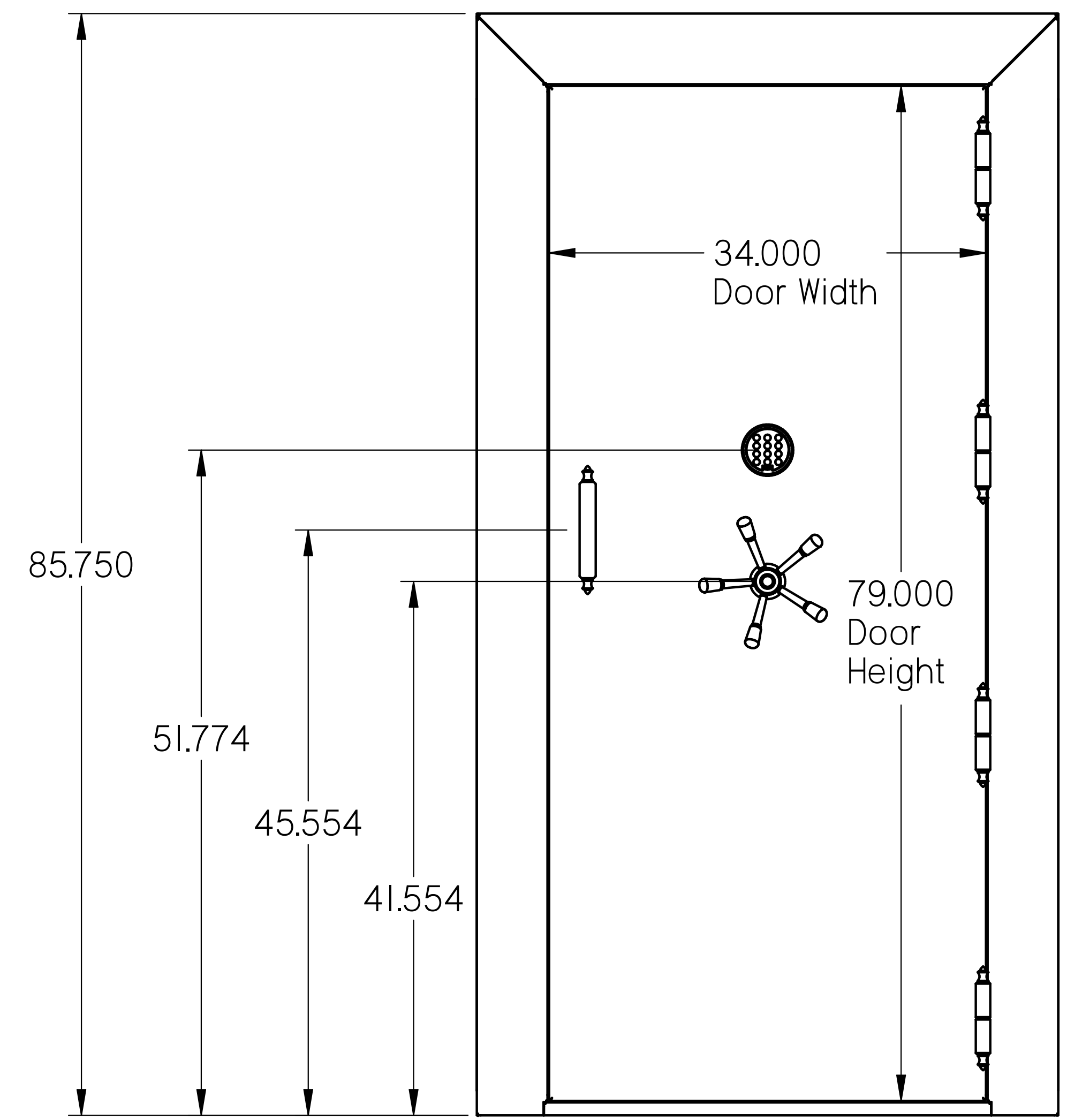
NOTES:

1.



Widest portion of vault door lying inside of the opening

8.000 Typ. Wall Width
6.875 Min wall width
9.875 Max wall width (More if you remove side clamp bolts)



	NAME	DATE	LIBERTY SAFE & SECURITY PRODUCTS	
DRAWN	ryand	06/26/18	TITLE	
CHECKED			SIZE DWG NO	
ENG APPR			D	
MGR APPR			FILE NAME: VD34-150-18B.dft	
UNLESS OTHERWISE SPECIFIED DIMENSIONS ARE IN INCHES ANGLES ±1.0° 2 PL ±0.02 3 PL ±0.010			SCALE: 1:8	WEIGHT: SHEET 1 OF 5

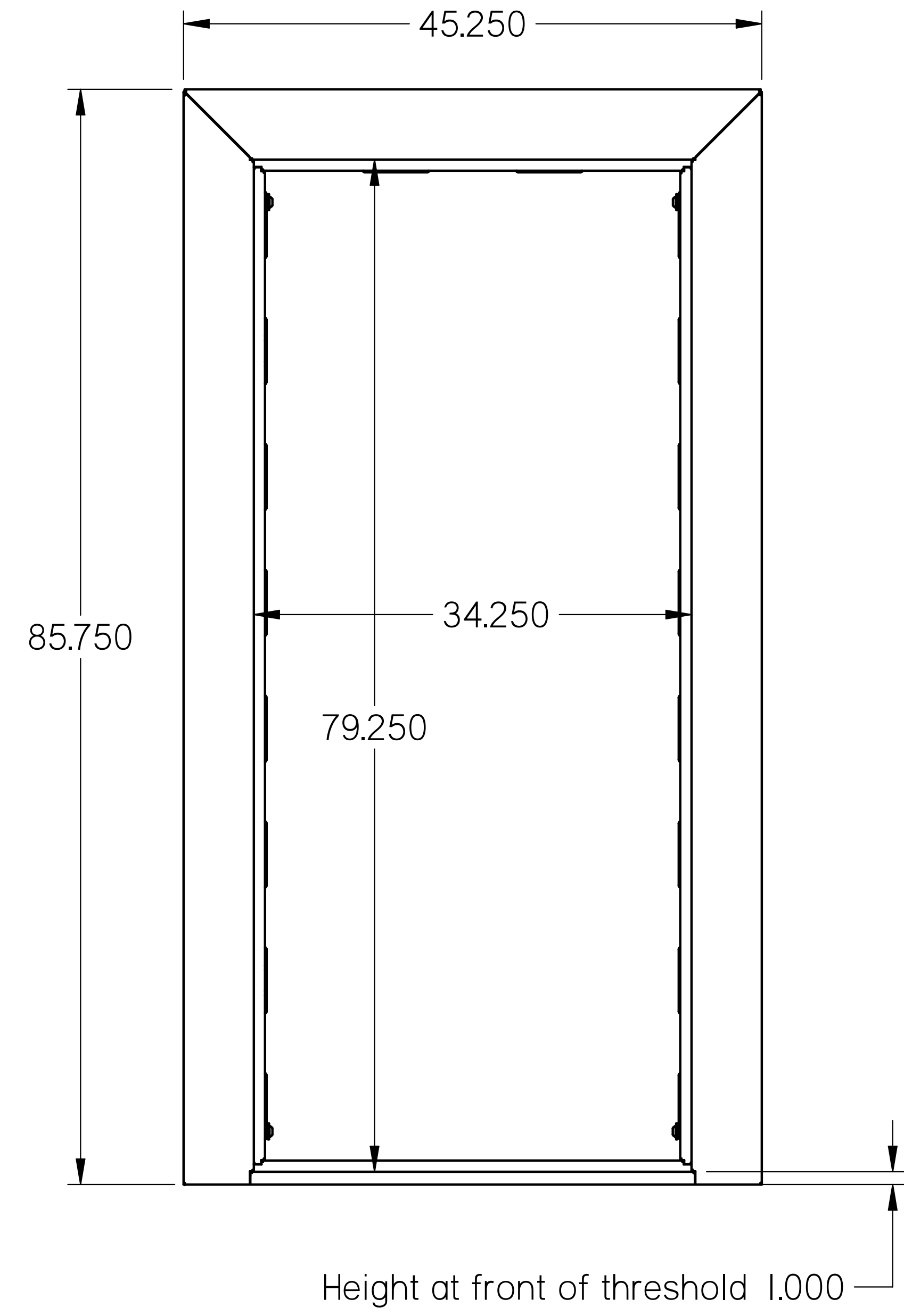
This document is maintained in Engineering. Information contained within it is for reference only and is subject to change without notice.

1 2 3 4 5 6 7 8 9 10 11 12

NOTES:
1.

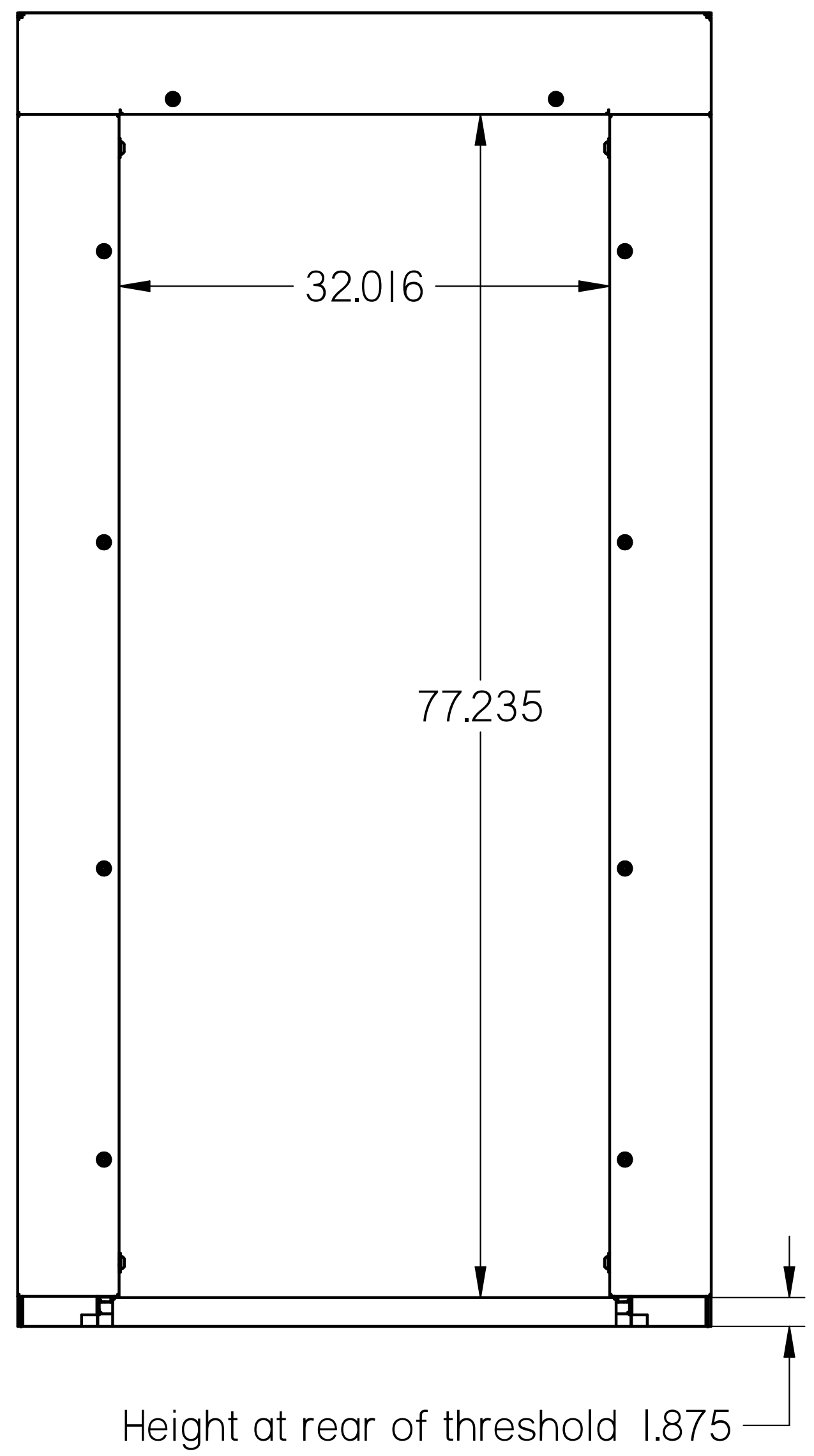
Face Frame

(Shown without back frame)



Back Frame:

Walk through opening



	NAME	DATE	LIBERTY SAFE & SECURITY PRODUCTS	
DRAWN	ryand	06/26/18	TITLE	
CHECKED			SIZE DWG NO	
ENG APPR			FILE NAME: VD34-150-18B.dft	
MGR APPR			SCALE: 1:8	WEIGHT: SHEET 2 OF 5

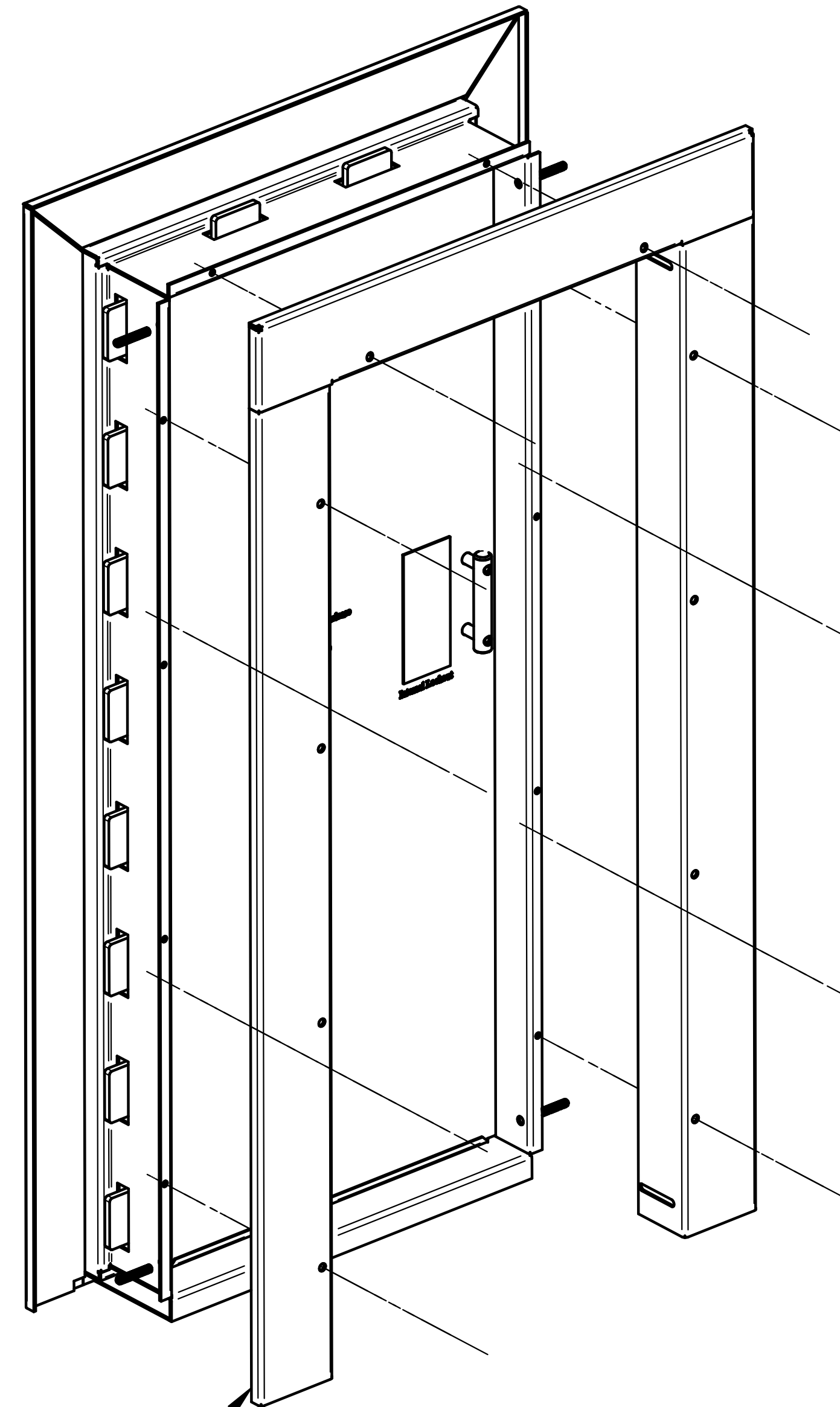
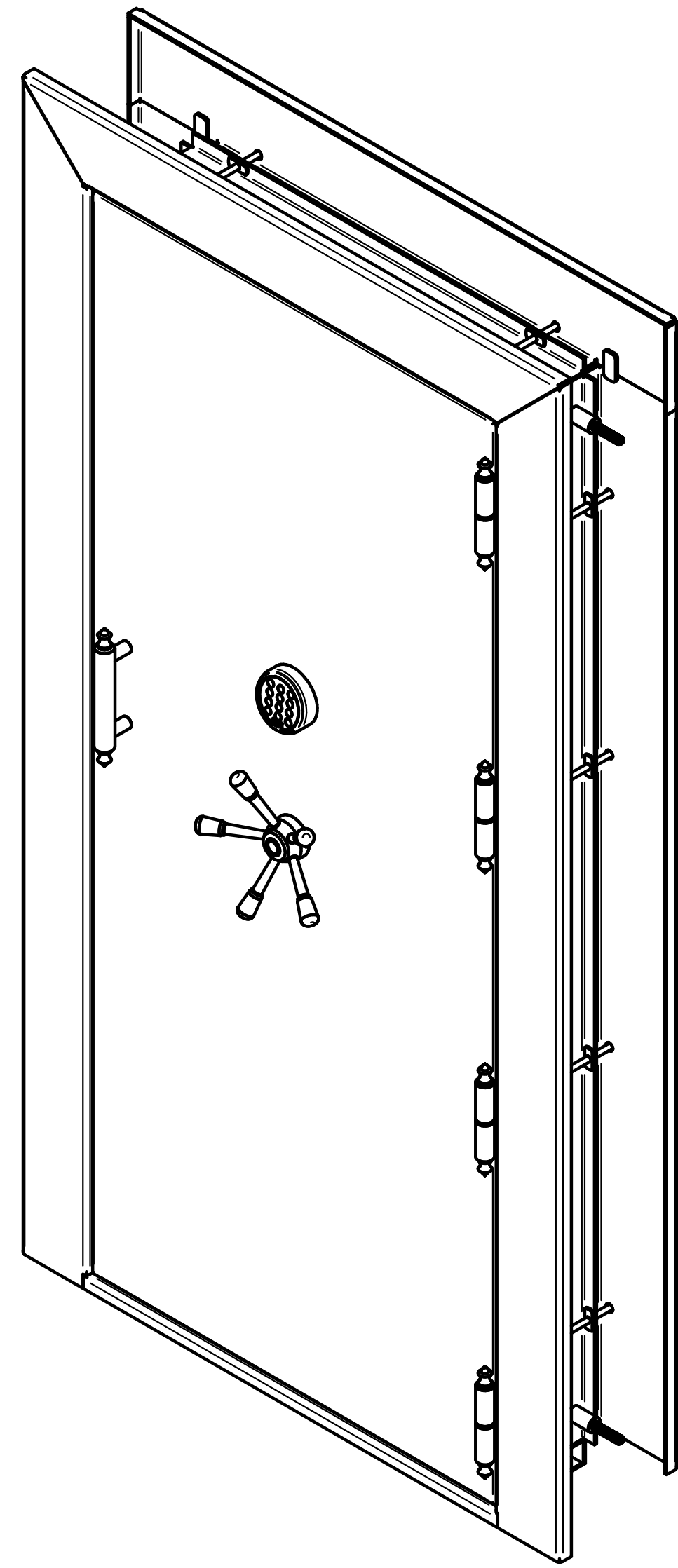
All information contained on this document is the sole property of Liberty Safe & Security.
Any alteration or reproduction by any method is strictly forbidden without written authorization from Liberty Safe & Security, Inc.

This document is maintained in Engineering. Information contained within it is for reference only and is subject to change without notice.

1 2 3 4 5 6 7 8 9 10 11 12

H
G
F
E
D
C
B
A

NOTES:
1.



Clamshell Design



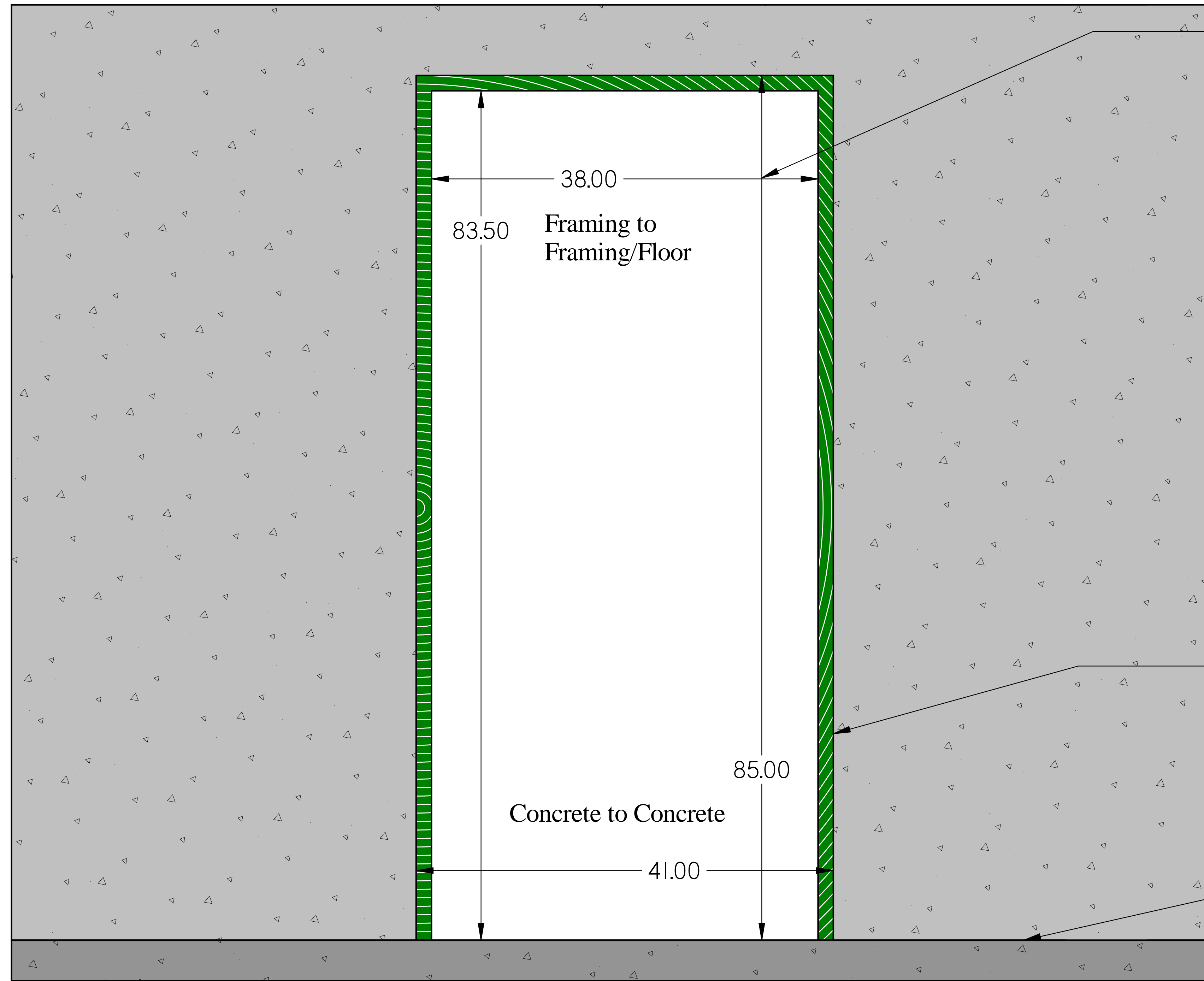
	NAME	DATE	LIBERTY SAFE & SECURITY PRODUCTS	
DRAWN	ryand	06/26/18	TITLE	
CHECKED			SIZE DWG NO	
ENG APPR			D	
MGR APPR			FILE NAME: VD34-150-18B.dft	
UNLESS OTHERWISE SPECIFIED DIMENSIONS ARE IN INCHES ANGLES ±1.0° 2 PL ±0.02 3 PL ±0.010			SCALE: 1:2	WEIGHT: SHEET 3 OF 5

All information contained on this document is the sole property of Liberty Safe & Security.
Any alteration or reproduction by any method is strictly forbidden without written authorization from Liberty Safe & Security, Inc.

This document is maintained in Engineering. Information contained within it is for reference only and is subject to change without notice.

1 2 3 4 5 6 7 8 9 10 11 12

This shows a typical rough opening for a 36" wide x 80" tall door in a foundation wall



The vault door will accommodate any opening that is between 37"-42" wide and 81"-85" tall. These values may vary slightly based on the squareness of the opening.

Treated lumber is often secured to the concrete so that a door may be fastened to the opening.



	NAME	DATE	LIBERTY SAFE & SECURITY PRODUCTS	
DRAWN	ryand	06/26/18	TITLE	
CHECKED			SIZE DWG NO	
ENG APPR			D	
MGR APPR			FILE NAME: VD34-150-18B.dft	
UNLESS OTHERWISE SPECIFIED DIMENSIONS ARE IN INCHES ANGLES ±1.0° 2 PL ±0.02 3 PL ±0.010			SCALE: 1:6.67 WEIGHT: SHEET 4 OF 5	

This document is maintained in Engineering. Information contained within it is for reference only and is subject to change without notice.

All information contained on this document is the sole property of Liberty Safe & Security. Any alteration or reproduction by any method is strictly forbidden without written authorization from Liberty Safe & Security, Inc.

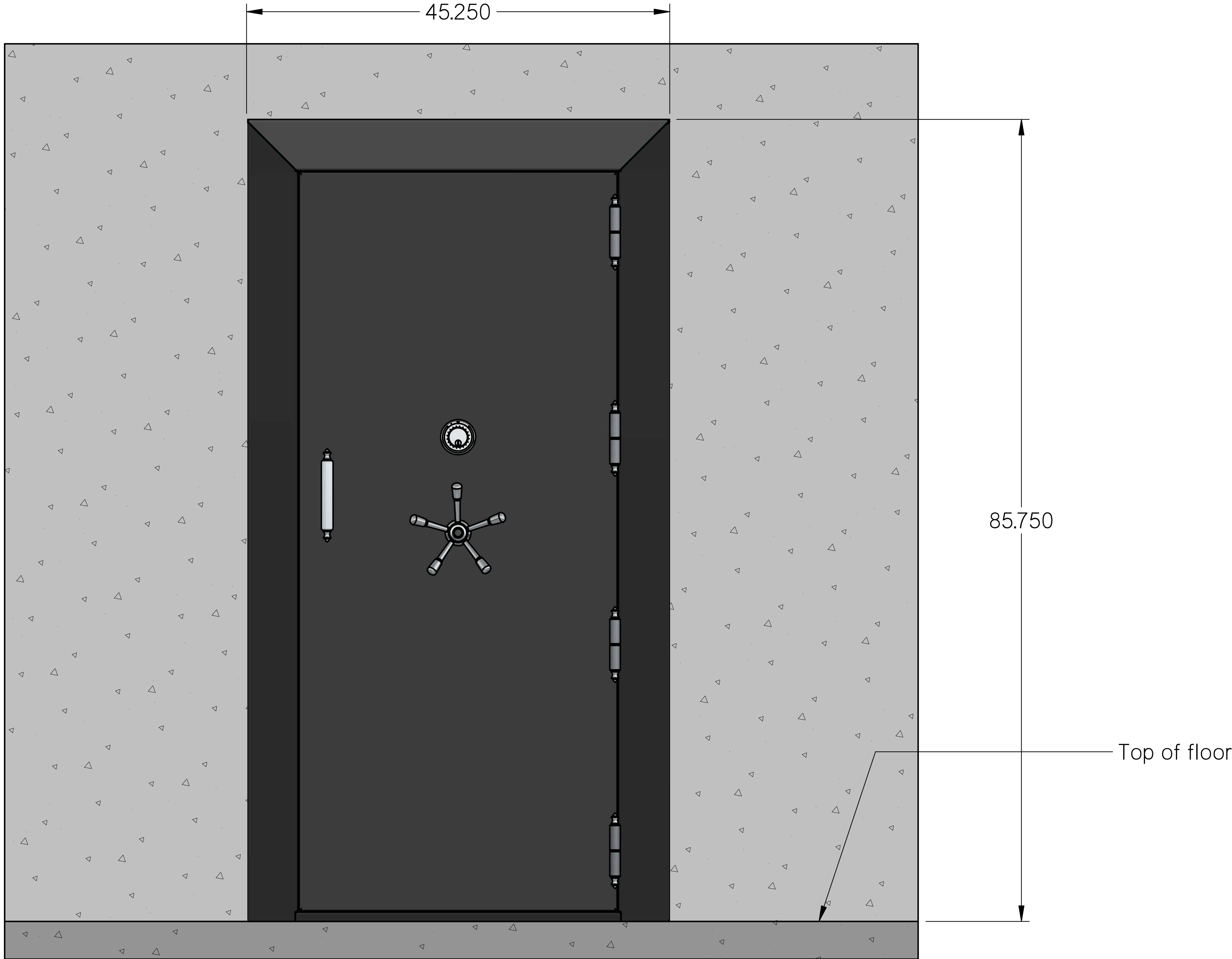
NOTES:

1.

NOTES:

1.

This shows the amount of space that the vault door will use on the wall.
(Frame dimensions)



	NAME	DATE	LIBERTY SAFE & SECURITY PRODUCTS	
DRAWN	ryand	06/26/18	TITLE	
CHECKED			SIZE DWG NO	
ENG APPR			D	
MGR APPR			FILE NAME: VD34-150-18B.dft	
UNLESS OTHERWISE SPECIFIED DIMENSIONS ARE IN INCHES ANGLES ±1.0° 2 PL ±0.02 3 PL ±0.010			SCALE: 1:1	WEIGHT: SHEET 5 OF 5

This document is maintained in Engineering.
Information contained within it is for reference
only and is subject to change without notice.